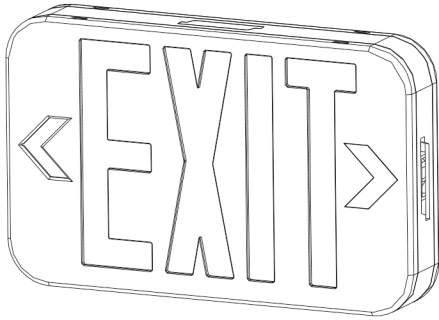




INSTALLATION INSTRUCTIONS

Emergency Exit Sign (E)



MODEL NUMBERS

EXS1-U-2RW	EXS1-U-2GW
EXS1-U-2RW-B	EXS1-U-2GW-B
EXS1-U-2RW-B-RC	EXS1-U-2GW-B-RC
EXS1-U-2RW-B-SD	EXS1-U-2GW-B-SD
EXS1-U-2RW-B-RC-SD	EXS1-U-2GW-B-RC-SD

READ AND FOLLOW ALL SAFETY INSTRUCTIONS

- 1) Do not use outdoors.
- 2) Do not mount near gas or electric heaters.
- 3) Equipment should be mounted in locations and at heights(MAX:8ft) where it will not be subject to tampering by unauthorized personnel.
- 4) The use of accessory equipment not recommended by the manufacturer may cause an unsafe condition.
- 5) Do not use this equipment for other than its intended use.
- 6) Before wiring to power supply, turn off electricity at fuse or circuit breaker.
- 7) Consult local building code for approved wiring and installation.
- 8) Installation and servicing should be performed by qualified personnel.

SAVE THESE INSTRUCTIONS

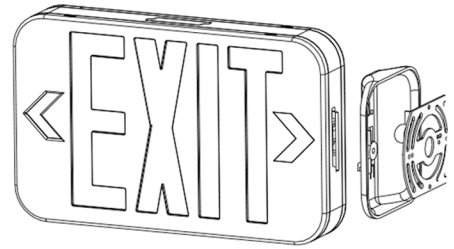
INSTALLATION INSTRUCTIONS

IMPORTANT:

When relamping, only use lamps specified in the exit sign.
Using other lamp types may result in transformer damage or unsafe conditions.



(FIG.1)



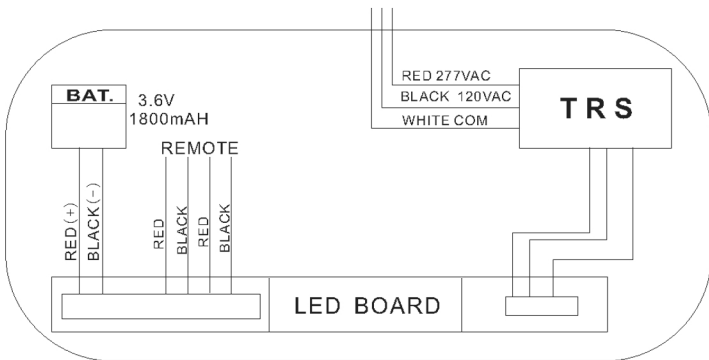
(FIG.2)

CEILING & END MOUNTING (FIG.1) & (FIG.2).

- 1) Connect input as shown in wiring diagram below and fasten canopy to J-box bracket.
- 2) Snap housing to canopy.
- 3) Secure faceplate to housing and remove the proper arrow as required.

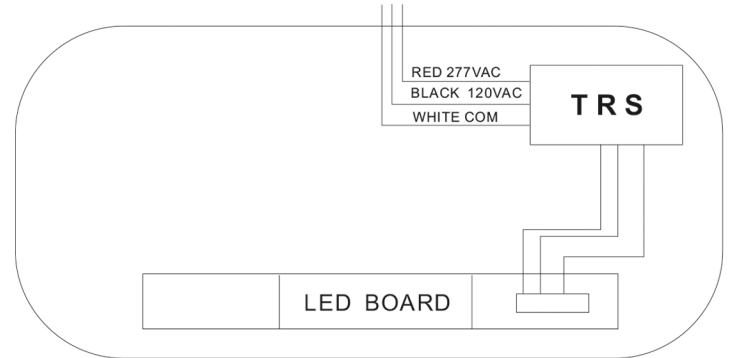
Wiring diagram for -RC Models

- EXS1-U-2RW-B-RC
- EXS1-U-2GW-B-RC



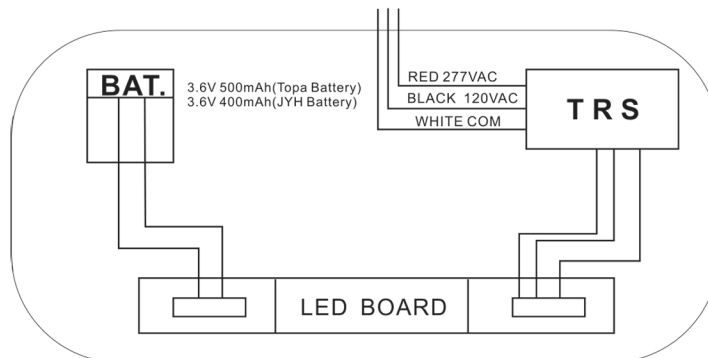
Wiring diagram for -AC Models

- EXS1-U-2RW
- EXS1-U-2GW



Wiring diagram for -B Models

- EXS1-U-2RW-B
- EXS1-U-2GW-B



WARNING:
Unused wires must be capped using enclosed wire nuts.